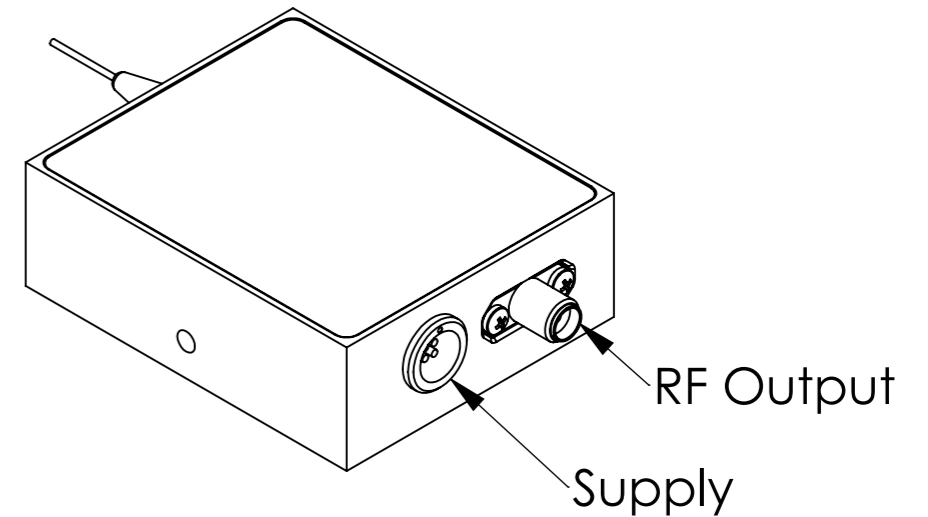
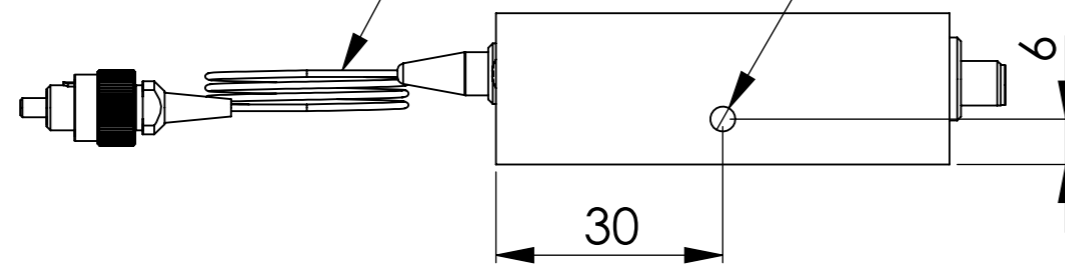


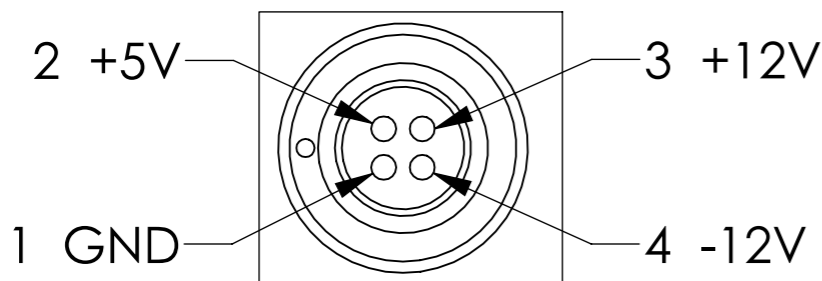
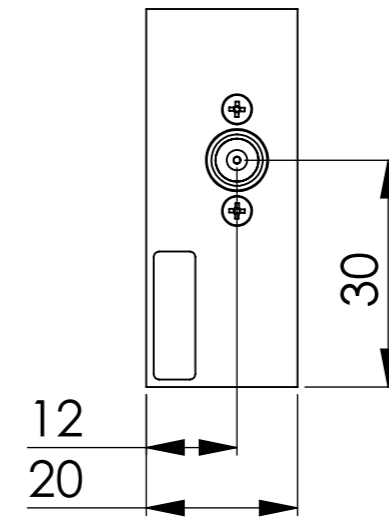
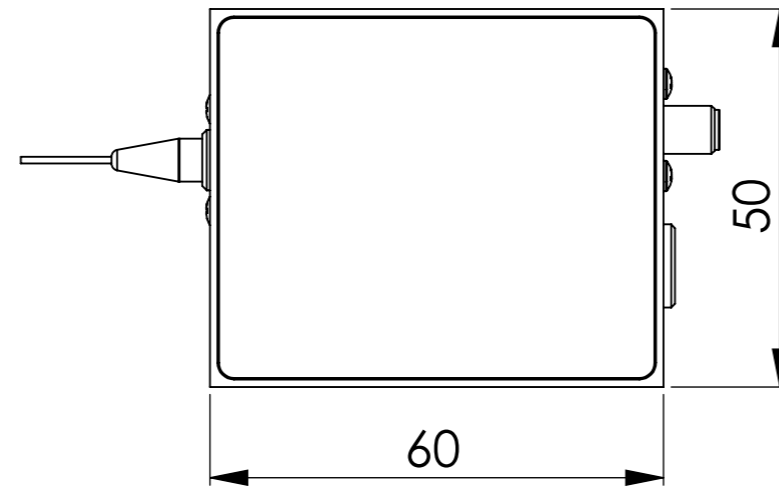
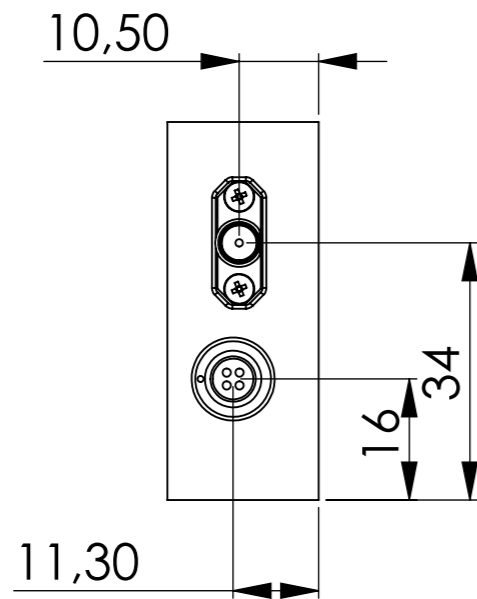
Optical Input

appr. 30cm fiber length

M4 Mounting hole,
5,50 mm deep



RF Output
Supply



Recommended connector:
Fischerconnectors S 102 Z053-130 +

The copying, distribution and utilization of this document as well as the communication of its content to others without expressed authorization is prohibited. Offenders will be held liable for the payment of damages. All rights reserved in the event of the grant of a patent, utility model or ornamental design registration.

Approved	Config
Datum	PA
Name	Proj./Syst.
	Struct/Therm

Wenn nicht anders angegeben: Einheiten in Millimeter Oberfläche: Toleranzen: DIN ISO 2768		Oberflächenbehandlung:		Gratfrei nach DIN ISO 13715 Außenkanten -0,2 Innenkanten +0,2		MenloSystems Tel.: 089/189 166-0 Tel.: 089/189 166-111			
SYSTEM:						ITEM: High Sensitivity Fast Photodetector			
MATERIAL:						DOC NO. FPD510-FC-NIR		A3	
000	Erstellt	21.07.2017	AW	FILE: T:\Baugruppen\Verkaufsprodukte\FPD510\		SHEET 1			
ISSUE	CHANGE	DATE	NAME	WEIGHT: g	SCALE:1:1	DO NOT SCALE DRAWING		OF 1	